

Patents, Designs, and Trade Marks

SUPPLEMENT

TO THE

NEW ZEALAND GAZETTE

OF

THURSDAY, MAY 5, 1910.

Published by Authority.

WELLINGTON, THURSDAY, MAY 5, 1910.

CONTENTS.

	Page
International and Intercolonial Arrangements for the Mutual Protection of Patents and Trade Marks ..	1377
Applications for Letters Patent filed	1378
Complete Specifications filed after Provisionals	1379
Complete Specifications accepted	1379
Provisional Specifications accepted	1383
Letters Patent sealed	1383
Letters Patent on which Fees have been paid	1383
Subsequent Proprietors of Letters Patent registered ..	1383
Applications for Letters Patent abandoned	1384
Application for Letters Patent void	1384
Applications for Letters Patent lapsed	1384
Letters Patent void	1384
Designs registered	1384
Applications for Trade Marks filed	1384
Applications for Registration of Trade Marks	1385
Trade Marks registered	1390
Trade Mark Renewal Fees paid	1390
Subsequent Proprietors of Trade Marks registered	1390
Trade Mark removed from the Register	1390

International and Intercolonial Arrangements for the Mutual Protection of Patents and Trade Marks.

INTERNATIONAL CONVENTION.

THE following countries now belong to the Convention :—

Australia.	Italy.
Austria-Hungary.	Japan.
Belgium.	Mexico.
Brazil.	New Zealand.
Ceylon.	Norway.
Cuba.	Portugal, with the Azores and Madeira.
Denmark and Faroe Islands.	Servia.
Dominican Republic.	Spain.
France, with Algeria and Colonies.	Sweden.
Germany.	Switzerland.
Great Britain.	Tunis.
Holland, with East Indian Colonies, Curaçoa, and Surinam.*	United States of America.

* Trade marks only.

Separate arrangements have been made between Australia and New Zealand.

Particulars of the Convention and of such arrangements may be seen in the following *Gazettes* :—

Notification of adhesion of New Zealand to the Convention, with text thereof (in English), in the *Gazette* of 26th November, 1891; notification of adherence of New Zealand to the Additional Act of the Convention, with text (in English) of such Additional Act, in Patents Supplement to *Gazette* No. 101, of the 16th November, 1905; Order in Council applying section 103 of the Imperial Act to New Zealand, in *Gazette* No. 27, of the 15th May, 1890; Orders in Council containing arrangements between Australia and New Zealand, in Patent Supplements to the *Gazette* Nos. 22, of the 9th March, 1905, and 38, of the 20th April, 1906.

Applications for Letters Patent filed.

LIST of applications for Letters Patent filed. (Where a complete specification accompanies an application an asterisk is affixed; in all other cases a provisional specification has been lodged. In all cases where the applicant is not the inventor the name of the latter appears in italics in brackets. † Denotes an application under the International and Intercolonial Arrangements.)

Thomson, C. J. H., Milton, N.Z.	Cannister-measuring head; 27558; 14th April.
Hall, R. W., Dunedin, N.Z.	Cannister-measuring head; 27558; 14th April.
Jory, E. A., Wellington, N.Z.	Steam-boiler; 27559; 14th April.
Brett, R. E., Waimauku, N.Z.	Orrery*; 27560; 12th April.
Vare, F. W., Wellington, N.Z.	Drink-habit cure; 27561; 15th April.
Stratford-Henniker, M. E., Greymouth, N.Z.	Curtain-ring; 27562; 15th April.
Stephenson, W. A., Waikino, N.Z.	Explosive-engine gas-regulating; 27563; 15th April.
Clark, F., Christchurch, N.Z.	Kettle; 27564; 15th April.
Needham, F. J., Christchurch, N.Z.	Kettle; 27564; 15th April.
Begg, K. S., Dunedin, N.Z.	Sprayer and damper; 27565; 18th April.
Holmes, G. G., jun., Pigeon Bay, N.Z.	Liquid drawing off from tins; 27566; 15th April.
Park, T., Kapuni, N.Z.	Acetylene-generator; 27567; 18th April.
Burgess, W., Hawera, N.Z.	Ear-marking apparatus; 27568; 18th April.
Honywood, G., Dunedin, N.Z.	Mixing-machine; 27569; 14th April.
Honywood, G., Dunedin, N.Z.	Pulverising-machine; 27570; 14th April.
Auckland, E. W., Dunedin, N.Z.	Electrical heater and cooker; 27571; 15th April.
Phillips, E., Melbourne, Vic. (<i>Pace, P. C.</i>)	Petrol lighting and heating apparatus; 27572; 15th April.
Beattie, S., Porangahau, N.Z.	Horse-cover; 27573; 16th April.
Levinge, H. M., Okato, N.Z.	Table*; 27574; 16th April.
Taylor, W. T., Wellington, Vic.	Dredge grab-attachment; 27575; 18th April.
Laurent, L. T., New Plymouth, N.Z.	Plough; 27576; 18th April.
Pyke, H. J. A., Auckland, N.Z.	Walking-stick attachment; 27577; 15th April.
Mascord, G. W., Barnes, Eng.	Motor; 27578; 19th April.
Wright, A. H., Newmarket, N.Z.	Franking-machine die-protector; 27579; 16th April.
Wright, A. H., Newmarket, N.Z.	Stamping-machine; 27580; 16th April.
Sim, R. D., Invercargill, N.Z.	Wash-boiler*; 27581; 16th April.
Baker, G. S., London, Eng.	Baker's oven*; 27582; 17th July, 1909†.
Simpson, T. W., Castleford, Eng.	Glass-bottle machine*; 27583; 19th April.
Knottenbelt, H. W., Brussels, Belgium	Petroleum and shale oil*; 27584; 19th April.
Chilton, E. J., Kuripuni, N.Z.	Flushing cistern-valve; 27585; 19th April.
Earp-Thomas, H. W., Wellington, N.Z.	Saucepan-stirrer; 27586; 19th April.
Murray, R. L. H., Auckland, N.Z.	Acetylene-generator; 27587; 19th April.
Tourtel, J. M., London, Eng.	Adding and printing machine*; 27588; 19th April.
Cook, P. W., Sidcup, Eng.	Reinforced-concrete construction*; 27589; 19th July, 1909.†
Fulda, L., London, Eng.	Food, &c., preservation*; 27590; 19th April.
Hibberd, C. E., London, Eng.	Gas-meter*; 27591; 19th April.
Ford, C. W., Auckland, N.Z.	Bicycle-pedal toe-strap; 27592; 18th April.
Mann, J. W., Dunedin, N.Z.	Motor; 27593; 15th April.
Brown, H. O., Oamaru, N.Z.	Motor; 27593; 15th April.
Reid, D., Gore, N.Z.	Traction-engine gripper pin-key; 27594; 20th April.
Nicolson, S., Gore, N.Z.	Traction-engine gripper pin-key; 27595; 20th April.
Gossling, P. J., Wellington, N.Z.	Document-file*; 27595; 20th April.
Tillotson, E. L., London, Eng.	Sewing-machine attachment*; 27596; 20th April.
Johnson, G., Melbourne, Vic.	Auriferous ores cyaniding*; 27597; 20th April.
Wessel, K., St. Paul, U.S.A.	Flax-machine*; 27598; 20th April.
Waters, E. N., Melbourne, Vic. (<i>United Shoe Machinery Company—Elliott, A. D.</i>)	Boot-machine tool-shield; 27599; 20th April.
Jones, J. O., Manaia, N.Z.	Milking-machine; 27600; 20th April.
Daysh, N. J., Carterton, N.Z.	Teat-cup; 27601; 21st April.
Motor Tire Company, Burnley, Vic. (<i>Clark, E.</i>)	Tire-cover*; 27602; 20th April.
Duff, J., Dunedin, N.Z.	Ladder; 27603; 18th April.
O'Connell, C., Dunedin, N.Z.	Ladder; 27603; 18th April.
Storrie, A., Invercargill, N.Z.	Milking-machine air-tube inspecting*; 27604; 18th April.
Thomson, G. M., Timaru, N.Z.	Hat-pin protector; 27605; 21st April.
Tattersfield, J. W., Auckland, N.Z.	Bedding-folding; 27606; 21st April.
Abbott, H. C., Auckland, N.Z.	Bedding-folding; 27606; 21st April.
Easterfield, T. H., Wellington, N.Z.	Ketones, preparation-process; 27607; 21st April.
Taylor, O. M., Wellington, N.Z.	Ketones, preparation-process; 27607; 21st April.
Duggan, W., jun., Dunedin, N.Z.	Tool; 27608; 19th April.
Murdoch, J., Dunedin, N.Z.	Trousers; 27609; 19th April.
Delvigne, M., Namur, Belg.	Explosive; 27610; 21st April.
Kochendorffer, Melbourne, Vic.	Bottling-machine*; 27611; 21st April.
Page, W. V., Waimamaku, N.Z.	Label-attaching to fabric; 27612; 20th April.
Cooze, F. S., Wellington, N.Z.	Clothes-washer*; 27613; 22nd April.
Hogan, C., Nightcaps, N.Z.	Spark-arrester; 27614; 22nd April.
Hogan, C., Nightcaps, N.Z.	Rabbit-trap; 27615; 22nd April.
Morris, W., Charing Cross, N.Z.	Harrow; 27616; 22nd April.
Johns, V. R., Auckland, N.Z.	Tennis-ball preserving-apparatus; 27617; 22nd April.
Fraser, J. C., Coromandel, N.Z.	Beat-disengaging gear; 27618; 25th April.
Gray, G., Dunedin, N.Z.	Ridging-machine; 27619; 21st April.
August, H., Invercargill, N.Z.	Motor-car wheel-tube; 27620; 21st April.
Wilkinson, W. S., Auckland, N.Z.	Horse-collar, &c., pad; 27621; 21st April.
Harper, A. S., Auckland, N.Z.	Horse-collar, &c., pad; 27621; 21st April.
McKay, W., Tamleugh W., Vic.	Broom; 27622; 21st April.
Metcalf, G., Christchurch, N.Z.	Wear-resisting material; 27623; 22nd April.
Blair, M., jun., Auckland, N.Z.	Reinforced-concrete construction; 27624; 25th April.
Parker, A., Wellington, N.Z.	Memorandum, despatch-form, and envelope; 27625; 25th April.
Efrost, J. E., Wellington, N.Z.	Memorandum, despatch-form, and envelope; 27625; 25th April.
Salek, S., Wellington, N.Z.	Memorandum, despatch-form, and envelope; 27625; 25th April.
Duffill, J., Inglewood, N.Z.	Concrete-building construction*; 27626; 25th April.
Currie, C. A., Islington, N.Z.	Tire, metal slide; 27627; 25th April.
Rasmussen, H. P., Dunedin, N.Z.	Insulation composition; 27628; 22nd April.
Mence, T., Campbelltown, N.Z.	Child-holder*; 27629; 26th April.
Knight, G. H., St. Peters, S. Aust.	Parcel and basket strap*; 27630; 29th April, 1909†.
Leist, G., Glebe Point, N.S.W. (<i>Schneide-Maschinenfabrik, Graff, and Stein—Graff, F.</i>)	Meat-slicing machine; 27631; 27th April.

Blake, E. W., South Croydon, Eng.	Gas-controller, &c.*; 27632; 27th April.
Goehler, M., Vancouver, B.C.	Milk-separator*; 27633; 27th April.
Goehler, M., Vancouver, B.C.	Rotor*; 27634; 27th April.
Bird, C. E., Sydney, N.S.W.	Wall-tie; 27635; 27th April.
Dallemague, F., Pasajes, Spain	Ore-concentrating, &c., apparatus*; 27636; 8th May, 1909†.
Dallemague, H., Pasajes, Spain	Ore-concentrating, &c., apparatus*; 27636; 8th May, 1909†.
MacLeod, A. M., Eltham, N.Z.	Clothes-drying apparatus; 27637; 27th April.
Thomson, H., Collingwood, Vic.	Last*; 27638; 27th April.
Macmeikan, J., Melbourne, Vic. (Rayson, R.)	Air-circulating apparatus; 27639; 27th April.
United Shoe Machinery Company, Paterson, U.S.A. (Bates, A.)	Press; 27640; 27th April.
United Shoe Machinery Company, Paterson, U.S.A. (Hadaway, J. B.)	Tack-pulling machine; 27641; 27th April.
Gordon, J. W., Waitotahi Valley, N.Z.	Wire-strainer; 27642; 27th April.
Ingram, C., Waimauku, N.Z.	Brick-kiln; 27643; 27th April.
Edmonds, E., Christchurch, N.Z.	Game-playing apparatus; 27644; 27th April.
McDonald, N. W., Swan Hill, Vic.	Fencing-dropper*; 27645; 27th April.
Gumming, G., Dunedin, N.Z.	Acetylene-generator; 27646; 25th April.
Thompson, J., Christchurch, N.Z.	Concrete channel; 27647; 27th April.
Burgess, W., Hawera, N.Z.	Hat-pin; 27648; 28th April.
Jelbart, F. S., Ballarat, Vic.	Internal-combustion engine*; 27649; 28th April.
Heap, S. A., Christchurch, N.Z.	Telephone-transmitter attachment*; 27650; 28th April.
Allan, G. W., Christchurch, N.Z.	Telephone-transmitter attachment*; 27650; 28th April.
McLaurin, J. D., Pohangina, N.Z.	Temperature-tester attachment; 27651; 29th April.
Morton, W., Dunedin, N.Z.	Franking-machine; 27652; 26th April.
Sandford, A. C., Richmond, Vic.	Fire-kindler; 27653; 26th April.
Neighbour, A. G. L., Beaumaris, Vic.	Sheep-shearing machine*; 27654; 5th June, 1909†.
Honywood, G., Dunedin, N.Z.	Mixing-machine; 27655; 27th April.
Burn, R., Petone, N.Z.	Document-folding machine; 27656; 29th April.

Complete Specifications filed after Provisionals.

LIST of complete specifications filed after provisional specifications, from the 16th to the 27th April, 1910, inclusive:—

- No. 26136.—D. Kay, bag holder for chaff-cutter.
 No. 26246.—F. W. Engelbrecht, grain, &c., mixer.
 No. 26262.—A. C. Murray, ironing-table.
 No. 26269.—United Shoe Machinery Company, boot-fastener inserting-machine. (G. Goddu and F. L. MacKenzie.)
 No. 26270.—United Shoe Machinery Company, turn shoe re-forming machine. (A. Bates and H. E. Cooper.)
 No. 26277.—J. Deegan, traction-engine gear-lock.
 No. 26278.—E. C. Austin, tire-inflating valve.
 No. 26279.—G. Lewis, plaster-slab joint.
 No. 26286.—G. W. Penney, ear-marking animals.
 No. 26298.—J. H. and D. M. Cook, hames and trace hook.
 No. 26357.—F. Harbottle, target.
 No. 26660.—C. E. Gane, milking-machine.
 No. 26910.—S. Bartlett, envelope.
 No. 26924.—T. E. Clark, building-block.
 No. 27420.—F. H. R. Neville and A. S. Pike, suction-light adapter.
 No. 27439.—J. Bulte and G. Cottam, railway-tunnel ventilation.

Notice of Acceptance of Complete Specifications.

Patent Office,
Wellington, 4th May, 1910.

COMPLETE specifications relating to the un-dermentioned applications for Letters Patent have been accepted, and are open to public inspection at this office. Any person may, at any time within two months from the date of this *Gazette*, give me notice in writing of opposition to the grant of any such patent. Such notice must set forth the particular grounds of objection, and be in duplicate. A fee of 10s. is payable thereon.

The copies of claims and extracts from the specifications and drawings are merely intended to give some further indication of the invention than is disclosed in the title, and the complete specifications and drawings should be referred to for a description of the invention.

No. 25690.—3rd May, 1909.—ERNEST ALBERT EARNSHAW, care of Post-office, Wellington, New Zealand, Traveller. Lifeboat.*

Claims.—(1.) A combination of ideas with four new ones in the drawings: Fig. 1, side-elevation of boat; fig. 2, cross-sectional elevation enlarged; fig. 3, side-elevation of driving-gear. (2.) In fig. 2 is shown hulls in halves by tunnel, also

paddles rotating around pair of rollers with pedals and crank-shaft; below two hull-guards joined to hulls; in centre, swivel keel bolted on pivots, also curved half torpedo hull shapes from spring cover to tunnel; lined outside with thin layers of wood, cork, and cane; divided into eight chambers (cork floats) on the duplex principle; also red flag. (3.) Rudder, automatic governor, and two expanding springs, also collapsible, thus being self-steerable. (4.) Can be used same as lifeboat, from ship or land.

(Specification, 2s.)

No. 25897.—29th April, 1909.—ERNEST MOSS, of Christchurch, New Zealand, Mechanic. Improved construction of electrically controlled shutter or annunciator for use in connection with fire-alarms, telephones, and the like.*

Extract from Specification.—My invention consists essentially of a vertically arranged disc, which is revolvably mounted upon a suitable pivot and arranged within a suitable casing. The disc is either weighted or eccentrically mounted so as to cause it to normally maintain a position with its weighted or overbalanced portion downwards. The disc, when it is in the "set" position, is turned so as to carry the overbalanced portion to the top, in which position it is maintained by a suitable controlling-device.

[NOTE.—The above extract from the specification is inserted in place of the claims.]

(Specification, 5s.)

No. 25968.—21st May, 1909.—WILLIAM HARVEY, of Auckland, New Zealand, Wholesale Tinsmith. A continuous cheese-pressure block.*

Extract from Specification.—The use of a casting having a heavy notched centre, parallel arms, wrought-iron arms, and the other parts specified, and operated as is explained.

[NOTE.—The above extract from the specification is inserted in place of the claims.]

(Specification, 2s. 9d.)

No. 25998.—28th May, 1909.—SAMUEL WATKINS, Wool-presser, and THOMAS WATKINS, Storeman, both of Dunedin, New Zealand. Improved baling-press.*

Claims.—(1.) In a baling-press, the combination with a vertically sliding monkey of raising and lowering ropes passing round pulleys, and attached thereto, and wound on drums adapted to be revolved by toothed gearing actuated by a handle, substantially as and for the purposes set forth. (2.) In a baling-press, the combination of a platform carrying a framework consisting of two pillars connected by a cross-bar, a monkey adapted to slide vertically on the pillars, a spindle beneath the platform having fixed on it drums round

which lowering-ropes passing round pulleys and attached to the monkey are wound, and a small-toothed wheel; a second spindle mounted on the platform, and having fixed to it a large-toothed wheel gearing with said small-toothed wheel, locking-pawls adapted to engage said large-toothed wheel, a handle for rotating said second spindle, a rope-pulley fixed on said second spindle, and a raising-rope wound thereon passing round pulleys and attached to said monkey, substantially as and for the purposes set forth.

[NOTE.—Here follow five other claims.]

(Specification, 8s.)

No. 26061.—9th June, 1909.—HUGO PER WILHELM ESPING, of Nässjö, Sweden, Engineer. Improvements in apparatus for raising liquids.*

Claims.—(1.) Apparatus for raising liquids by means of compressed air and a vessel which in its upward and downward movements operates a valve admitting the compressed air into the vessel and discharging the air from the same alternately, the vessel being submerged in the liquid and provided with an inlet-valve and an outlet-pipe extending upward, characterized by the fact that the said vessel is suspended from one arm of a two-armed lever, the other arm of which is provided with a counterweight so adjusted that the vessel sinks when filled with liquid and rises when filled with compressed air, the fulcrum of the said lever being located on a lower level than the suspension-point of the vessel on the lever, substantially as described and shown, and for the purpose set forth.

[NOTE.—Here follow two other claims.]

(Specification, 5s. 3d.)

No. 26063.—12th June, 1909.—ANTON HENRIK HANSEN, Meat-preserver, and WILLIAM ALEXANDER DAWSON, Mechanic, both of Manaia, Taranaki, New Zealand. An improved fire or furnace grating.*

Claim.—That it consists of a perforated metal plate, and, wherever used as specified, it effects a saving of the consumption of fuel; it also saves the ordinary bars or grating in furnaces in which it is used, the perforated metal plate being placed in, over, on, and in addition to the ordinary bars or grating already in furnace or stove to which it is to be fitted. Such plate is to be raised by end, and rest level with the upper surface of the fire-bars at the other end.

(Specification, 2s.)

No. 26115.—23rd June, 1909.—JAMES OAKLEY SUCKLING, Plumber, ALFRED HENRY HERBERT, Storekeeper, and EDWARD PAGE, Solicitor, all of Eketahuna, New Zealand. Silent flushing-apparatus for water-closets.*

Extract from Specification.—The siphon-pipe is connected at its inner end to a suitably shaped chamber provided with a flap which approximately fits the contour of the chamber, and is pivoted at one end. From the end of this flap extends a lever which is connected by a rod to the flushing-lever of the apparatus, which is pivoted preferably upon the siphon, and at the other end has the usual pull-chain. A relatively small air-pipe passes into the highest part of the siphon, and projects downwardly into a muffler box, which is open at its lower end, and at its upper end has a projecting neck, the top of which is provided with a perforated screw-cap.

[NOTE.—The above extract from the specification is inserted in place of the claims.]

(Specification, 3s. 6d.)

No. 26132.—22nd June, 1909.—JAMES THOMAS, of Kilfeera, near Benalla, Victoria, Australia, Commission Agent. Improvements in and connected with the hoe-supports of grain and fertiliser drills.*

Claims.—(1.) In the described improvements in and connected with the hoe-supports of grain and fertiliser drills, a cross-bar having incuts formed in the corners and each side of an arm, said incuts upraising tongues. (2.) In improvements in and connected with the hoe-supports of grain and fertiliser drills, and, in combination, a cap having a bed, a flange each side of said bed, a bolt-hole through each flange, said cap being retained in position laterally upon a bar by tongues upraised by making incuts in said bar.

[NOTE.—Here follow four other claims.]

(Specification, 5s.)

No. 26175.—1st July, 1908.—FRANCIS MALLEY, of Liverpool and Kent Streets, Sydney, New South Wales, Australia, Manufacturing Iron and Metal Worker, and GEORGE BRENNAN, of 5 Rainford Street, Sydney aforesaid, Gas Engineer. Improved apparatus for time-control of liquid-outflow.

[NOTE.—This is an application under the International and Inter-colonial Arrangements, the date given being the official date of the application in Australia.]

Claims.—(1.) Improved apparatus for time-control of liquid-outflow, comprising essentially a piston-chamber adapted to be interposed between the operating mechanism and the operating part of a discharge-valve, and whose piston will travel in one direction through the liquid contents of said chamber, will lift said chamber, and will allow said chamber to gradually resume its normal lowermost position, and close the operatable discharge-valve, substantially as described and explained.

[NOTE.—Here follow two other claims.]

(Specification, 4s.)

No. 26209.—8th July, 1909.—WILLIAM THOMAS HALL, Plumber, and JOHN EDWARD WHEELER, Sheet-metal Worker, both of Dunedin, New Zealand. An improved water sprayer or sprinkler.*

Claims.—(1.) A water-sprayer, consisting of a hollow semi-spherical or conical chamber formed with a small opening in its apex and provided with a pipe-connection opening into its side at a tangent thereto, substantially as specified. (2.) The improved water-sprayer, substantially as described and explained and as illustrated in the drawings.

(Specification, 2s.)

No. 26362.—30th July, 1909.—ANDREW TURNER, of Otaika, Whangarei County, New Zealand. Preserving artistic works executed in oil-colours on paper.*

Claim.—An improved method of preserving artistic works, executed in oil-colours on paper, by attaching canvas to the back of the paper by means of a cement, the basis of which cement is carbonate of lead.

(Specification, 1s.)

No. 26497.—27th August, 1909.—AGNES EDMOND, of Princes Street, Dunedin, New Zealand, Gentlewoman. Means for prevention of wrinkling in boots, gloves, or the like.

Claim.—In articles of clothing worn on the extremities, such as boots, gaiters, socks, or gloves, and in combination with them, stiffeners secured with studs or domed studs arranged so as to prevent them from wrinkling up, all substantially as shown on the drawing, and as described and explained.

(Specification, 2s.)

No. 26706.—12th October, 1909.—GUSTAF HJALMER LINDSTROM, of Fitzroy, New Plymouth, Taranaki, New Zealand, Tanner. An improved process of tanning.*

Claims.—(1.) The improved process of tanning hides, consisting in subjecting the hides to an initial unhairing, cleaning, scuting, and washing treatments, and in then treating them to a solution of alum, common salt, and pyrophosphate of sodium in water, and to the subsequent treatment of a mixture of such solution with a solution of gambier and quebracho in water, substantially as specified.

[NOTE.—Here follow three other claims.]

(Specification, 5s.)

No. 26758.—18th October, 1909.—WILLIAM BETHRIDGE TOPP, of Wellington, New Zealand, Manufacturer's Agent. An improved spouting-bracket.*

Claim.—The improved spouting-bracket, characterized by having the top end of its outer member turned outwards, substantially as and for the purposes herein described and as illustrated in the drawings.

(Specification, 1s. 9d.)

No. 26989.—3rd December, 1909.—CHARLES ALEXANDER KIDD, Engineer, GEORGE BERRY RITCHIE, Solicitor, COLIN HERBERT FLAVELL, Accountant, MAJOR FLAVELL, Manager, and ARTHUR BAILEY, Land Agent, all of Christchurch, New Zealand. Improvements in trotting-sulkies.

Claims.—(1.) In trotting-sulkies, the construction comprising an arched member terminating in forks to receive the carrying-wheels, shafts extending over and secured upon the arch, a stay-bar attached to the central portion of the arch on the under-side thereof and extending downwardly at each side, where it is securely fastened to the respective inner members of the forks, an upward and forward extension of the stay-bar at each side secured to the shaft, such extension being formed with two branches for attachment to each member of the wheel-fork, substantially as described and as illustrated in the drawing. (2.) In trotting-sulkies, the construction substantially as described and explained and as illustrated in the drawing.

(Specification, 2s 6d.)

No. 27091.—23rd December, 1909.—EDWARD JOHN PRICE, Commercial Traveller, of 274 Pitt Street, Sydney; MICHAEL PATRICK CONSIDINE, Labourer, of 37 Stanley Street, Sydney; and CHARLES CEDERBERG, Mechanic, of Broad Road, South Randwick, Sydney, New South Wales, Australia. Improvements in filtering-appliances attachable to ordinary water-taps.*

Extract from Specification.—The essential features of our invention consist of a cylindrical casing having fitted into an upper recess a plurality of concentric packing-rings, or strips curved into the form of rings, so constructed and arranged that the diameter of the central opening will approximately equal the outside diameter of the nozzle of a tap, and the arrangement in the lower portion of the casing of one or more horizontal layers of cotton-wool, or other suitable filtering material, supported by wire-gauze screens and held in position as above indicated.

[NOTE.—The above extract from the specification is inserted in place of the claims.]

(Specification, 6s.)

No. 27164.—15th January, 1910.—ARTHUR WILLIAM PIRIE, of Napier, New Zealand, Plumber. Improvements in sky-lights.

Extract from Specification.—The invention consists in the use of flaps of metal-plate hinged to the outside surfaces of the skylight sides, and adapted to lie closely against such surfaces or to be turned upwards and outwards away therefrom. The sides of the skylight are formed with a number of apertures therein, which will thus be closed when the flaps are turned down, and opened to allow of free ingress or egress of air when the flaps are turned up.

[NOTE.—The above extract from the specification is inserted in place of the claims.]

(Specification, 3s.)

No. 27241.—3rd February, 1910.—CHARLES LESLIE DE JERSEY, of 483 Collins Street, Melbourne, Victoria, Australia, Engineer. Improvements in paper-bag-making machines by mechanism for inserting card or like bottoms.

Claims.—(1.) In machines for making paper-bags, the method and means of fitting to each bag a card or like bottom, by supplying, pasting, and inserting the same during construction, substantially as described. (2.) In machines for making paper-bags, a magazine containing a supply of cardboard bottoms, herein called "boards," a slot in the top mould-bar adapted to allow the passage of boards from the magazine to the front end of the mould-bars, and means at the said end for placing the foremost board in the tube (partly formed bag), substantially as described. (3.) In machines for making paper-bags, in combination with a magazine and a slot such as hereinbefore referred to, a tiltable plate hinged near the end of the plunger-rod, and means for actuating said tilting-plate to place a board in the bottom of the tube before it is completed to form a bag, substantially as described.

[NOTE.—Here follow four other claims.]

(Specification, 17s. 6d.)

No. 27311.—16th February, 1910.—GEORGE HENRY BENBOW STEELE, of 220 Lake Street, Perth, Western Australia, Engineer, and ARTHUR HAROLD BOULTER, of 221 Park Street, Subiaco, Western Australia, Carpenter, and JOSEPH HARGREAVES, of Kimberley Street, Leederville, Western Australia, Carpenter. An improved spark-arrester.

Extract from Specification.—A rotatable fan, which is driven by the action of the exhaust steam, rotates in a horizontal plane, and is suitably held in position above the exhaust steam-pipe exit and within the chimney or funnel. We may use one, two, or more of these rotary fans. A cone diverts and guides the steam-blast, and consequently the sparks, on to the under-side of the fan-blades, while an annular or partly annular passage around the funnel receives the dead sparks.

[NOTE.—The above extract from the specification is inserted in place of the claims.]

(Specification, 3s.)

No. 27312.—19th February, 1909.—EDWARD CHATTERTON HENNEQUIN, of 232 Thorold Road, Ilford, Essex, England, Surveyor, whose present address is 82 Nicholson Street, Melbourne, Victoria, Australia. Improvements in or relating to devices for turning the leaves of music or other publications.

[NOTE.—This is an application under the International and Inter-colonial Arrangements, the date given being the official date of the application in Great Britain.]

Claim.—(1.) In connection with devices for turning the leaves of music or other publications, the employment of a stop rod or bar, hinged, fixed, or otherwise connected to the apparatus, preferably to the central pivot, and capable of being positioned to arrest and prevent the vibrating movement of the arm or lever connected with and operating the mechanism for releasing the arms carrying the leaves, substantially as set forth, for the purpose of preventing two or more arms carrying leaves escaping or being turned at the same time.

(Specification, 8s. 6d.)

No. 27380.—2nd March, 1910.—PATRICK JAMES GRIFFIN, Miner, and THOMAS PETER EUSTEGE, jun., Carpenter, both of "Whitehall," Plimmer's Steps, Wellington, New Zealand. Improvements in tea-cans.

Claims.—(1.) In a tea-can of the kind described, the employment of a cork traversed by a wire having a loop at its lower end, an infusor made of perforated tin plate or wire gauze, and detachably connected to the said loop by a hooked wire secured to the infusor, the said infusor being adapted to pass through the neck of the can, substantially as set forth. (2.) The combination, with a tea-can, of an infusor suspended by a wire from the cork of the can, a lid fitting the top of the infusor and slidable on the wire, and adapted to turn aside for the introduction of tea-leaves into the infusor, substantially as set forth. (3.) The combination and arrangement of parts comprising the improvements in tea-cans, substantially as and for the purposes set forth and illustrated in the drawing.

(Specification, 2s.)

No. 27443.—18th March, 1910.—JOSEPH WATTERSON, of 21 Cambridge Terrace, Wellington, New Zealand, Blacksmith, FRANK PHILLIPS, of Oriental Crescent, Wellington, aforesaid, Fitter, and THOMAS TURNER, of 21 Cambridge Terrace, Wellington, aforesaid, Joiner. Improved antifriction device for bull-ropes and the like.

Claims.—(1.) For the purpose indicated, a bracket carrying horizontal and vertical revolvable rollers arranged in the form of a cross, substantially as and for the purposes specified and illustrated in the drawing. (2.) For the purpose indicated, in combination, the bracket carrying the T piece with the vertical member, the vertically arranged revolvable rollers and the horizontally arranged revolvable rollers, substantially as specified and illustrated.

[NOTE.—Here follows one other claim.]

(Specification, 2s. 6d.)

No. 27465.—22nd March, 1910.—MIDAS LIMITED, of 73 Leadenhall Street, London, England, Manufacturers (assignees of Alois Wilhelm Urmetzer, of 20 Dornton Road, Balham, London, S.W., England, Leaf-metal Merchant). Improvements in or relating to a method of, and materials for the production of, a coating of polish upon articles of leather and other materials.

Extract from Specification.—Consists in applying to the article a paste composed of wax of high melting-point in admixture with a solvent such as turpentine and an adhesive agent, metallic powder being incorporated with the paste either before or after the application of the paste to the material, and finally polishing the surface.

[NOTE.—The above extract from the specification is inserted in place of the claims.]

(Specification, 4s. 9d.)

No. 27466.—21st March, 1910.—GEORGE JAMES RICHARDSON, of Auckland, New Zealand, Importer. An improved window-dressing apparatus for displaying goods and such like.

Claims.—(1.) The improved window-dressing apparatus specified, consisting, in combination, of the base of the window, the horizontal driving-shaft having two wheels keyed at its opposite ends, the two short spindles set above said horizontal driving-shaft, each carrying a wheel, said four wheels being circumferentially fluted and cross-scolloped, two endless ropes fitted into said circumferential fluting and worked by the rotation of the said four wheels, the cross-bars fitted to said two endless ropes so that in the rotation the said cross-bars will fall into said cross-scollops and be worked by the rotation of said four wheels in the manner and for the purpose set forth, as described and illustrated. (2.) The application, arrangement, and combination of the mechanism specified in the manner and for the purpose set forth, as described and illustrated.

(Specification, 3s.)

No. 27476.—23rd March, 1910.—ALFRED CHARLES DICKINSON, Salesman, and GEORGE DICKINSON, Salesman, both of Christchurch, New Zealand. Improved sanitary receptacle for soiled clothes and the like.

Claim.—In an article of the class described, the combination with a perforated box having a perforated shelf therein upon which the clothes are adapted to rest, of a tray detachably arranged below the shelf, and upon which disinfectant is placed, substantially as described and for the purpose indicated.

(Specification, 2s.)

No. 27483.—30th March, 1910.—FREDERICK ANDREWS, of Mercer, New Zealand, Farm-manager. An improved composition for coating the exterior of buildings.

Claims.—(1.) A composition for coating the exterior of buildings, consisting in a mixture of slaked lime, alum, salt, turpentine, and water, substantially as specified. (2.) A composition for coating the exterior of buildings, consisting in a mixture of slaked lime, alum, salt, turpentine, and water, mixed together in the approximate relative proportions, and in the manner specified.

(Specification, 1s. 3d.)

No. 27490.—14th September, 1909.—JOHN DAVIDSON JENSEN, Farmer, and CHARLES EDWARD HOLLAND, Farmer, both of "Riverview," Healesville, Bourke, Victoria, Australia. An improved collar for neck-wear.

[NOTE.—This is an application under the International and Inter-colonial Arrangements, the date given being the official date of the application in Australia.]

Claims.—(1.) In an improved collar for neck-wear, a comparatively stiff-leather collar-band, said collar-band having a pointed inner meeting-end, an outer meeting-end having an elevated rounded corner, front stud holes and slits, and a back stud hole and slit. (2.) In an improved collar for neck-wear, a flap of flexible leather ornamented upon the exterior, an inturned portion around the upper edge of said flap, a hole near each end of the said flap, an eyelet-ring in each hole, a back stud-access gullet formed in the middle of the lower edge of the said flap.

[NOTE.—Here follow three other claims.]

(Specification, 5s. 6d.)

No. 27504.—1st April, 1910.—OTTO OLSON, of Wiseman's Ferry, New South Wales, Australia, Manager. An improved locking-device for brooches.

Extract from Specification.—The usual pin is provided with an enlarged portion near one end thereof. This enlarged portion is adapted to enter a cylinder pivoted in lugs at the back of the brooch. A spiral groove passes around this enlarged portion of the pin and receives a pin or snib projecting from the interior of the cylinder. The rear end of the brooch-pin passes through the closed end of the cylinder, and is provided with a button for handling.

[NOTE.—The above extract from the specification is inserted in place of the claims.]

(Specification, 2s. 9d.)

No. 27505.—31st March, 1910.—EDWIN BURT, of Apartado, 30 El Oro, Estado Mexico, Mexico, Mining Engineer. Process of filtration.

Extract from Specification.—The ore-slime or other material in a semi-liquid state is run into the filter-shell until said filter-shell is filled to a desired extent—say, until it is about one-half full. Air or fluid pressure is then generated in the filter-shell, said air-pressure being preferably increased gradually as filtration progresses, from a desired initial pressure of, say, 10 lb., to a desired final pressure of 40 lb. to 50 lb. The desired initial fluid-pressure in the filter-shell may be generated either by the introduction in said filter-shell of fluid under pressure or by compression of fluid contained in said filter-shell by the admission into said filter-shell of the ore-slime to be filtered. Such compression of fluid contained in the filter-shell can readily be effected either by locating the slime-tank at a higher level than the filter-shell, or by the use of a pump for forcing the ore-slime into said filter-shell. During the filtering operation the filter-shell is rotated slowly, a desirable rate of rotation being about fifteen revolutions per minute.

[NOTE.—The above extract from the specification is inserted in place of the claims.]

(Specification, 7s. 6d.)

No. 27511.—15th September, 1909.—ELA BERT WHITE, of 1707 Railway Exchange, Chicago, Illinois, United States of America, temporarily residing at 186 Palace Chambers, Westminster, London, England, Engineer. Improvements in systems of and apparatus for washing and refilling locomotive-boilers.

[NOTE.—This is an application under the International and Inter-colonial Arrangements, the date given being the official date of the application in Great Britain.]

Extract from Specification.—According to this invention I employ a single tank comprising a chamber or compartment for receiving and separating the blown-off products from the locomotive-boiler, a chamber or compartment constituting a receiving and heating chamber for the fresh feed-water, and a chamber or compartment constituting the receptacle for the more or less purified water blown out from the locomotive-boiler, the receiving-chamber for the blown-out products also comprising a sludge tank or chamber. Further features of the invention will appear from the description and claims.

[NOTE.—The above extract from the specification is inserted in place of the claims.]

(Specification, 7s.)

No. 27521.—2nd April, 1910.—HERBERT HILL WHITE, of 34 Stearns Road, Brookline, Massachusetts, United States of America, Manufacturer. Improvements in or relating to wind-shields for automobiles.

Claims.—(1.) A wind-shield, comprising rearwardly inclined supporting-rods, devices for securing the rods in position in front of the seat of an automobile, cross-rods connecting the upper ends of the supporting-rods, and a cover provided with a tubular upper edge surrounding the transverse rods and with tubular side edges and centre portion surrounding the supporting-rods, and devices for securing the lower end of the cover.

[NOTE.—Here follow nine other claims.]

(Specification, 9s. 6d.)

No. 27540.—12th April, 1910.—WILLIAM WALLER, of 28 to 32, Vauxhall Walk, Lambeth, London, England, Engineer, and FREDERICK WILLIAM JAMES MOORE, of Arthur Street West, London, England, Merchant. Improvements in machines for the manufacture of tins and like sheet-metal articles.

Claims.—(1.) In machines of the kind described wherein a series of rotating chucks is employed, each carrying one or more rollers, for seaming the ends to the bodies of tins and like sheet-metal articles, the arrangement, on each chuck, of mechanism actuated by the rotation thereof for feeding or pressing the said roller or rollers against the parts to be seamed during the seaming operation, substantially as described. (2.) In machines of the kind described wherein a series of rotating chucks is employed, each carrying one or more rollers, for seaming the ends to the bodies of tins and like sheet-metal articles, the arrangement on each chuck of a cam or cams and means for rotating it or them relatively with the chuck or chucks for feeding or pressing the said roller or rollers against the parts to be seamed during the seaming operation, substantially as described.

[NOTE.—Here follow nineteen other claims.]

(Specification, £1.)

Copies of drawings may be obtained at the uniform price of 1s. each. In exceptional cases this price may be increased at the discretion of the Office.

An asterisk (*) denotes the complete specification of an invention for which a provisional specification has been already lodged.

NOTE.—The cost of copying the specification has been inserted after the notice of each application. An order for a copy or copies should be accompanied by a post-office order or postal note for the cost of copying.

The date of acceptance of each application is given after the number.

Extracts from the drawings accompanying the foregoing complete specifications appear at the end of this *Gazette*.

J. C. LEWIS,
Registrar.

Provisional Specifications accepted.

Patent Office,
Wellington, 5th May, 1910.

APPLICATIONS for Letters Patent, with provisional specifications, have been accepted as under:—

- No. 25690.—E. A. Earnshaw, lifeboat.
- No. 26063.—A. H. Hansen, furnace-grating.
- No. 26209.—W. T. Hall and J. E. Wheeler, water-sprayer.
- No. 26778.—H. C. Abbott, grate-attachment.
- No. 26983.—R. H. Sleep and B. G. A. Harkness, swingle-tree.
- No. 27434.—L. W. Alexander and J. W. Hall, non-refillable bottle.
- No. 27437.—J. J. O'Doherty, vehicle-brake.
- No. 27453.—P. C. C. Isherwood, filtering-apparatus.
- No. 27457.—A. Ridd, milking-machine pulsator.
- No. 27459.—F. G. Willcocks, milking-machine teat cup.
- No. 27462.—A. McLeod, water-heater.
- No. 27472.—W. Milne, air-exhauster.
- No. 27497.—W. Stokes, jun., fire-alarm.
- No. 27501.—A. C. Jonassen and C. Horrill, electric branding-device.
- No. 27502.—G. Abbott, hinge.
- No. 27508.—W. J. Baskville, cleaning river-channels.
- No. 27509.—R. McGaffin, flax-catcher shutter.
- No. 27510.—R. McGaffin, flax-catcher.
- No. 27512.—H. de L. Peake, milking-machine cup-cap.
- No. 27516.—H. Simpson, pudding-steamer.
- No. 27522.—W. S. Pierce, explosive.
- No. 27527.—C. Simonsen, waterproof coating-solution for leather.
- No. 27528.—C. Simonsen, waterproof solution for fabrics.
- No. 27532.—J. McFadden and H. Adams, milking-appliance.
- No. 27533.—F. C. Wheeler, fire-hose coupler.

- No. 27534.—W. Milne, spoon clip or holder.
- No. 27536.—W. C. Haines, rotary engine.
- No. 27538.—E. Shadgett, beverage.
- No. 27543.—A. L. J. Tait, flax-treatment.
- No. 27544.—H. N. Bell, milk, &c., treatment.
- No. 27547.—A. V. Graham, aerated-water production.
- No. 27552.—C. A. Lees, A. H. C. Lees, and T. C. Field, restricting movement of rifle-muzzle.
- No. 27553.—G. Hutchinson, seed-sower.
- No. 27555.—C. N. H. B. Williams, driving-gear for screw-propelled vessels.
- No. 27558.—C. J. H. Thomson and R. W. Hall, canister-head.
- No. 27559.—E. A. Jory, steam-boiler.
- No. 27561.—F. W. Vare, drink-habit cure.
- No. 27563.—W. A. Stephenson, gas-regulating for admission to explosive engines.
- No. 27566.—G. G. Holmes, jun., liquid-drawing-off device.
- No. 27568.—W. Burgess, earmark and means of attaching same.
- No. 27569.—G. Honeywood, mixing-machine.
- No. 27578.—G. W. Mascord, rotary motor.
- No. 27579.—A. H. Wright, franking-machine-die protector.
- No. 27580.—A. H. Wright, franking, &c., machine.
- No. 27607.—T. H. Easterfield and C. M. Taylor, ketone preparation process.

[NOTE.—Provisional specifications cannot be inspected, or their contents made known by this office in any way, until the complete specifications in connection therewith have been accepted.]

Letters Patent sealed.

LIST of Letters Patent sealed from the 16th to the 28th April, 1910, inclusive:—

Nil.

Letters Patent on which Fees have been paid.

[NOTE.—The dates are those of the payments.]

SECOND-TERM FEES.

- NO. 21008.—International Telegraphic Call Company selective signalling apparatus. (E. R. Gill.) 18th April.
- No. 21030.—W. H. Tregoning and E. J. Ruddick, revolving fireplace. 19th April.
- No. 21037.—J. B. MacEwan and Co., Limited, portable boiler. (H. H. Reimers.) 25th April.
- No. 21045.—R. Connell, pneumatic tire inflating. 26th April.
- No. 21072.—United Shoe Machinery Company, boot and shoe machine. (A. E. Jerram and A. Bates.) 20th April.
- No. 21073.—United Shoe Machinery Company, boot and shoe machine. (J. P. Pride and A. Bates.) 20th April.
- No. 21187.—H. Irwin, alarm. 18th April.
- No. 21197.—A. James, gold-extraction. 19th April.
- No. 21233.—United Shoe Machinery Company, shoe-upper lacing machine. (W. A. Smith.) 20th April.
- No. 21243.—A. I. Jones, flax-treating apparatus. 19th April.
- No. 22213.—A. H. Imbert, zinc, &c., treatment. 19th April.

THIRD-TERM FEES.

- No. 16339.—The Winchester Repeating Arms Company, firearms. (T. C. Johnson.) 27th April.
- No. 16524.—B. and W. Trehella, lever-jack pawl operating. 19th April.
- No. 16566.—R. Emmerich, preservation of meat. 27th April.
- No. 1845.—Linotype and Machinery Company, Limited, printing-machine. (T. M. North.) 27th April.

Subsequent Proprietors of Letters Patent registered.

[NOTE.—The name of the former proprietor is given in brackets; the date is that of registration.]

- NO. 22452.—The Interlocking Steel Lathing Company, Limited, duly incorporated under the Companies Act, 1899, and whose registered office is at 33 Sussex Street, Sydney, N.S.W. Sheet-metal lathing. [T. W. Macintosh.] 21st April, 1910.
- No. 26977.—Aktiengesellschaft, Brown, Boveri, and Cie, of Baden, Switzerland. Turbine-installation. [E. Brown.] 27th April, 1910.

Applications for Letters Patent abandoned.

LIST of applications, with which provisional specifications only have been filed, abandoned (*i.e.*, complete specifications not lodged) from the 16th to the 29th April, 1910, inclusive:—

- No. 26080.—J. W. M. Harrison, stiffening shirt-collar.
 No. 26084.—C. F. Lungley, metal, &c., preservation compound.
 No. 26085.—C. F. Lungley, hides and leather treatment.
 No. 26086.—C. J. J. S. Hollway, draining-implement.
 No. 26087.—L. G. Grace, aeroplane.
 No. 26093.—F. A. Cooper, acetylene-generator.
 No. 26099.—W. H. Freeman, rope-protector.
 No. 26100.—L. G. Grace, water-valve for hydraulic pump.
 No. 26101.—H. Wallace, chaffcutter safety device.
 No. 26102.—L. W. Alexander and J. W. Hall, non-refillable bottle.
 No. 26105.—J. Treloar, milking-machine vacuum pump.
 No. 26106.—J. Treloar, lubricating-device.
 No. 26107.—J. L. MacDonald, self-oiling axle.
 No. 26109.—R. Heaven, motor-car speed-alarm.
 No. 26110.—C. S. McLean, aeroplane.
 No. 26111.—D. S. Mackenzie, dental filling-apparatus.
 No. 26124.—W. E. Hunter, preventing pigs breaking through barriers.
 No. 26127.—J. H. Beamish, ventilating building.
 No. 26129.—N. C. Christie and W. Henderson, air-brake electric signalling-apparatus.
 No. 26131.—J. Thomas, chaffcutting-machine feed.
 No. 26135.—H. P. Rasmussen, insulating-composition.
 No. 26137.—A. J. Bond, barrow-wheel.
 No. 26141.—H. Henderson, animal-cover.
 No. 26143.—L. J. Norton-Taylor, tram-car destination-indicator.
 No. 26145.—T. Kidd, vacuum pulsator.
 No. 26151.—E. A. McKinlay, cow-bail.
 No. 26152.—L. Marks, appliance for drafting trousers.
 No. 26160.—E. Norden, soap-saver.
 No. 26168.—A. A. Pinches, sand-soap.
 No. 26172.—T. A. Glendinning and G. A. Coles, utilising waste animal substances.
 No. 26173.—T. A. Glendinning and G. A. Coles, utilising waste leather substances.
 No. 26180.—D. McCurdy, land and water motor.
 No. 26181.—D. McCurdy, butter-mould, &c.
 No. 26182.—D. McCurdy, agricultural implement.

Applications for Letters Patent void.

APPLICATIONS for Letters Patent, with which complete specifications have been lodged, void owing to non-acceptance of such complete specifications, from the 16th to the 29th April, 1910, inclusive:—

- No. 25451.—E. A. A. Laery and G. T. Stewart, ticket-rack holder.
 No. 25477.—W. G. Dart, billiard-dining table.

Applications for Letters Patent lapsed.

APPLICATIONS for Letters Patent lapsed, owing to Letters Patent not being sealed, from the 16th to the 29th April, 1910, inclusive:—

- No. 25077.—A. E. Styles, dray-brake.
 No. 25091.—C., O. E., C., and M. Thomson, hair-pin.
 No. 25092.—W. Murray, spanner.
 No. 25108.—E. W. Hursthouse, steam-cooking apparatus.

Letters Patent void.

LIST of Letters Patent void through non-payment of renewal fees, and through expiry of term of fourteen years, from the 16th to the 29th April, 1910, inclusive:—

THROUGH NON-PAYMENT OF SECOND-TERM FEES.

- No. 20585.—J. Brooks, flasks or cores for casting.
 No. 20586.—The Grondal Kjellin Company, Limited, ore-treatment. (E. Phillips—P. Gredt.)
 No. 20589.—J. Ingle and W. J. Green, oask, &c., branding-machine.
 No. 20590.—A. L. Johnson, corrugated bars.

- No. 20591.—W. E. Hughes, boot-tree. (Industrial Patents, Limited—S. French.)
 No. 20599.—J. J. Bryers, fire-escape.
 No. 20605.—W. G. Meddings, recording the breaking of fire-sprinkler.
 No. 20610.—T. Bassett, binder-and-reaper draft. (C. H. McCormick.)
 No. 20613.—F. Steele, crayfish-trap.
 No. 20622.—A. Taylor, flushing cistern.
 No. 20628.—British Westinghouse Electric and Manufacturing Company, Limited, equalising load in alternating electric-current circuits. (J. P. Campbell—R. Braun.)
 No. 20629.—W. H. Wood, railway-brake.
 No. 20630.—P. J. McGinn, vehicle-balance adjustment.
 No. 20631.—W. Jenkins, boot-sole attachment.
 No. 20636.—D. S. Baird, loose-leaf binder.
 No. 20639.—R. McKenzie, minnow-head.
 No. 20640.—J. F. Brady, steam-turbine.
 No. 20641.—R. A. Cummings, reinforced-concrete column.
 No. 20642.—British Westinghouse Electric and Manufacturing Company, rotating apparatus for electric motor. (J. P. Campbell—R. Braun.)
 No. 20644.—J. Gill, air, &c., compressor.
 No. 20654.—A. James and C. J. Brooks, gold-extracting.

THROUGH NON-PAYMENT OF THIRD-TERM FEES.

- No. 15908.—The British Westinghouse Electric and Manufacturing Company, electric railway-signalling system. (W. E. Hughes—G. Gibbs.)
 No. 15920.—T. Morris, rabbit-trap, &c., peg.

THROUGH EXPIRY OF TERM.

- No. 8420.—Massey-Harris Company, Limited, plough. (C. McLeod.)
 No. 8426.—R. Davis, ointment.
 No. 8429.—J. H. Kellogg, heat bath.
 No. 8430.—J. H. Kellogg, alimentary product.

Designs registered.

DESIGNS have been registered in the following names on the dates mentioned:—

- No. 504.—Arthur Edward Ackland, of Wellington, N.Z., Electrical Engineer. Class 10. 10th February, 1910.
 No. 505.—Charles Arthur Smith, of 24 Rhodes Street, Newtown, Wellington, N.Z. Class 3. 26th April, 1910.

Applications for Trade Marks filed.

LIST of applications for registration of Trade Marks filed from the 16th to the 29th April, 1910, inclusive:—

- No. 8679.—15th April.—Bryant and Co., Limited, Hastings, N.Z. Class 42.
 No. 8680.—18th April.—P. Healy, Makara, N.Z. Class 44.
 No. 8681.—19th April.—Steinfels Frères, trading as Parfumerie Monpelas, Vincennes, France. Class 48.
 No. 8682.—19th April.—Cerebos Limited, Greatham, Eng. Class 42.
 Nos. 8683, 8684.—19th April.—A. J. Worthington and Co., Limited, Leek, Eng. Class 38.
 Nos. 8685, 8686, 8687, 8688.—19th April.—D. Napier and Son, Limited, London, Eng. Classes 6, 13, 21, and 22.
 No. 8689.—20th April.—Fassett and Johnson, London, Eng. Class 3.
 No. 8690.—22nd April.—E. S. Dixon, Palmerston North, N.Z. Class 42.
 No. 8691.—25th April.—Sargood, Son, and Ewen, Limited, Dunedin and elsewhere, N.Z. Class 38.
 No. 8692.—27th April.—C. A. Edgarton Manufacturing Company, Shirley, U.S.A. Class 38.
 No. 8693.—27th April.—A. J. White (Colonial) Limited, London, Eng.; Sydney, N.S.W.; Port Elizabeth, Cape Colony. Class 3.
 Nos. 8694, 8695, 8696, and 8697.—27th April.—Battle and Co. Chemists Corporation, St. Louis, U.S.A. Class 3.
 No. 8698.—27th April.—Imperial Tobacco Company (of Great Britain and Ireland), Limited, Bedford, Eng. Class 50.
 Nos. 8699 and 8700.—27th April.—Chipmans Limited, New York, U.S.A., and Sydney, N.S.W. Class 6.
 No. 8701.—27th April.—G. H. Mumm and Co., trading as "G. de Bary," Reims, France. Class 43.
 No. 8702.—27th April.—Dr. med Karl Hartmann, Gesellschaft mit beschränkter Haftung, Berlin. Class 3.

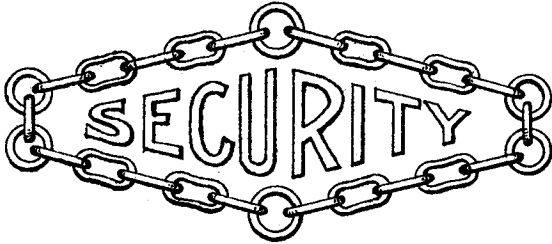
Applications for Registration of Trade Marks.

Patent Office,
Wellington, 4th May, 1910.

A PPLICATIONS for registration of the following Trade Marks have been received. Notice of opposition to the registration of any of these applications may be lodged at this office within two months of the date of this *Gazette*. Such notice must be in duplicate, and accompanied by a fee of £1.

No. of application : 8175
Date : 7th August, 1909.

TRADE MARK.



NAME.

HARRY SPROSTON DADLEY, of Auckland, in the Provincial District of Auckland, in the Dominion of New Zealand, Boot-importer.

No. of class : 38.
Description of goods : Boots, shoes, slippers, &c.

No. of application : 8524.
Date : 27th January, 1910.

TRADE MARK.
TUI BRAND.



The essential particulars of this trade mark are the design of the tui bird, and the word "Tui"; and any right to the exclusive use of any added matter is disclaimed.

NAME.

IRVINE AND STEVENSON'S ST. GEORGE COMPANY, LIMITED, of Filleul Street, Dunedin, in the Dominion of New Zealand.

No. of class : 42.
Description of goods : Jams, preserved fruits, preserved meats (other than frozen meat), milk, cream.

No. of application : 8566.
Date : 17th February, 1910.

TRADE MARK.



The essential particular of this trade mark is the distinctive label.

NAME.

FOSTER McCLELLAN COMPANY, of Pitt Street, Sydney, in the State of New South Wales, Commonwealth of Australia, Proprietors of Medicinal Preparations.

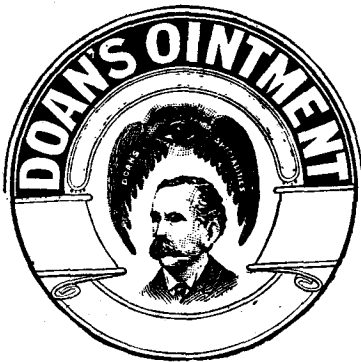
No. of class : 3.

Description of goods : Pills, medicated articles, patent medicines, and other chemical substances in medicine and pharmacy for human use.

No. of application : 8567.

Date : 17th February, 1910.

TRADE MARK.



The essential particular of this trade mark is the distinctive label.

NAME.

FOSTER McCLELLAN COMPANY, of Pitt Street, Sydney, in the State of New South Wales, Commonwealth of Australia, Proprietors of Medicinal Preparations.

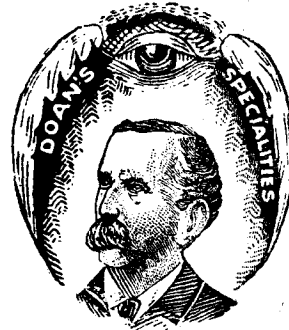
No. of class : 3.

Description of goods : Ointments.

No. of application : 8568

Date : 17th February, 1910.

TRADE MARK.



**DOAN'S
DINNER
PILLS**

The essential particular of this trade mark is the distinctive label.

NAME.

FOSTER McCLELLAN COMPANY, of Pitt Street, Sydney, in the State of New South Wales, Commonwealth of Australia, Proprietors of Medicinal Preparations.

No. of class : 3.

Description of goods : Pills and tablets.

No. of application : 8637.

Date : 31st March, 1910.

TRADE MARK.



NAME.

I. RUTTER AND Co., of Ravensbury Mills, Mitcham, Surrey, England, Tobacco-manufacturers.

No. of class : 45.

Description of goods : Tobacco, manufactured or unmanufactured.

No. of application : 8649.

Date : 6th April, 1910.

TRADE MARK.



The essential particulars of this trade mark are the device and the word "Aerobenzine"; and any right to the exclusive use of the added matter is disclaimed.

NAME.

KONINKLIJKE NEDERLANDSCHE MAATSCHAPPIJ TOT EXPLOITATIE VAN PETROLEUM BRONNEN IN NEDERLANDSCH INDIE, of The Hague, Holland, Manufacturers.

No. of class : 47.

Description of goods: Petroleum and products of petroleum, such as kerosene, benzine, gasoline, petroleum spirit, petroleum jelly, soap, candles, vaseline, naphtha, and all other products derived from petroleum; also all other descriptions of illuminating, heating, or lubricating oils.

No. of application : 8651.

Date : 6th April, 1910.

TRADE MARK



The essential particulars of this trade mark are the device and the word "Aeroline"; and any right to the exclusive use of the added matter is disclaimed.

NAME.

KONINKLIJKE NEDERLANDSCHE MAATSCHAPPIJ TOT EXPLOITATIE VAN PETROLEUM BRONNEN IN NEDERLANDSCH INDIE, of The Hague, Holland, Manufacturers.

No. of class : 47.

Description of goods: Petroleum and products of petroleum, such as kerosene, benzine, gasoline, petroleum spirit, petroleum jelly, soap, candles, vaseline, naphtha, and all other products derived from petroleum; also all other descriptions of illuminating, heating, or lubricating oils.

C

No. of application : 8661.

Date : 6th April, 1910.

TRADE MARK



The essential particular of this trade mark is the combination of devices printed in the particular colour shown in application, the whole being on a white back-ground; and any right to the exclusive use of the added matter is disclaimed.

NAME.

BATAAFSCHE PETROLEUM-MAATSCHAPPIJ, of Lange Vijverberg, No. 2, The Hague, Holland, Manufacturers.

No. of class : 47.

Description of goods: Candles.

No. of application : 8662.

Date : 6th April, 1910.

TRADE MARK.

(The mark as shown in preceding notice, No. 8661.)

The essential particular of this trade mark is the combination of devices printed in the particular colour shown in application, the whole being on a white back-ground; and any right to the exclusive use of the added matter is disclaimed.

NAME.

BATAAFSCHE PETROLEUM-MAATSCHAPPIJ, of Lange Vijverberg, No. 2, The Hague, Holland, Manufacturers.

No. of class : 47.

Description of goods: Candles.

No. of application : 8665.

Date : 6th April, 1910.

TRADE MARK.

"LABOR"

NAME.

JULES EMILE DUNAND, of Versoix near Geneva, Switzerland, and of 17 Heath Drive, Hampstead, London N.W., England, Engineer.

No. of class : 6.

Description of goods: Machinery of all kinds and parts of machinery.

No. of application: 8666.

Date: 6th April, 1910.

TRADE MARK.



The essential particulars of this trade mark are the device of a zebra and the word "Zebra"; and any right to the exclusive use of the added matter is disclaimed.

NAME.

KERR AND Co., LIMITED, of Paisley, Scotland, Thread-manufacturers.

No. of class: 23.

Description of goods: Sewing-cotton.

No. of application: 8667.

Date: 6th April, 1910.

TRADE MARK.



The essential particulars of this trade mark are the device and the word "Hercules"; and any right to the exclusive use of the added matter is disclaimed.

NAME.

KERR AND Co., LIMITED, of Paisley, Scotland, Thread-manufacturers.

No. of class: 23.

Description of goods: Sewing-cotton.

No. of application: 8668.

Date: 7th April, 1910.

TRADE MARK.



The essential particulars of this trade mark are the word "Talk-o-phone" and the devices; and any right to the exclusive use of the added matter is disclaimed.

NAME.

The persons registered and trading as the firm of "J. ALBERT AND SON," of 137-139 King Street, Sydney, New South Wales, Australia, Importers of Musical Instruments and Music.

No. of class: 8.

Description of goods: Sound recording, transcribing, and reproducing instruments and machines of all kinds, and parts thereof, including records, speakers, needles, and horns for use therewith.

No. of application: 8671.

Date: 12th April, 1910.

TRADE MARK.

The word

GARBIRCORD.

NAME.

G. GARNETT AND SONS, LIMITED, of Valley Mills, Harrogate Road, Apperley Bridge, near Bradford, Yorkshire, England, Worsted and Woollen Manufacturers.

No. of class: 34.

Description of goods: Cloths and stuffs of wool, worsted, or hair.

No. of application: 8672.

Date: 12th April, 1910.

TRADE MARK.

The word

GARBIRCORD.

NAME.

G. GARNETT AND SONS, LIMITED, of Valley Mills, Harrogate Road, Apperley Bridge, near Bradford, Yorkshire, England, Worsted and Woollen Manufacturers.

No. of class: 38.

Description of goods: Articles of clothing.

No. of application : 8677.

Date : 14th April, 1910.

TRADE MARK



NAME.

JOHN MURDOCH, of 36 Bathgate Road, South Dunedin, in the Dominion of New Zealand, Draper.

No. of class : 50.

Description of goods : Umbrellas, parasols, and sunshades.

No. of application : 8678.

Date : 14th April, 1910.

TRADE MARK.

The word

RENA.

NAME.

COLUMBIA PHONOGRAPH COMPANY GENERAL, of 353A Broadway, New York, United States of America, Manufacturer.

No. of class : 8.

Description of goods : Sound recording, transcribing, and reproducing instruments and machines of all kinds, and parts thereof, including records, speakers, needles, and horns for use therewith.

No. of application : 8679.

Date : 15th April, 1910.

TRADE MARK.

The word

SALADIA.

NAME.

BRYANT AND Co., LIMITED, of Hastings Street, Napier, in the Dominion of New Zealand, Grocers.

No. of class : 42.

Description of goods : Tea, coffee, and cocoa.

No. of application : 8680.

Date : 18th April, 1910.

TRADE MARK.



The essential particular of this trade mark is the distinctive label.

NAME.

PATRICK HEALY, of Makara, near Wellington, in the Dominion of New Zealand.

No. of class : 44.

Description of goods : Herbal beer.

No. of application : 8681.

Date : 19th April, 1910.

TRADE MARK

MALACÉINE

NAME.

STEINFELS FRÈRES, trading as "Parfumerie Monpelas," of 29 Rue Massue, Vincennes, France.

No. of class : 48.

Description of goods : Perfumery, including toilet articles, preparations for the teeth and hair, and perfumed soap.

No. of application : 8682.

Date : 19th April, 1910.

TRADE MARK.

The word

BISTO.

NAME.

CEREBOS LIMITED, of Cerebos Works, Greatham, County Durham, England, Salt Manufacturers and Refiners.

No. of class : 42.

Description of goods : Substances used as food or as ingredients in food.

No. of application : 8691.

Date : 25th April, 1910.

TRADE MARK.

The word

IMPERIAL.

NAME.

SARGOOD, SON, AND EWEN, LIMITED, of Dunedin and elsewhere, in the Dominion of New Zealand, Warehousemen and Manufacturers.

No. of class : 38.

Description of goods : Linen collars.

J. C. LEWIS,
Registrar.

Trade Marks registered.

LIST of Trade Marks registered from the 16th to the 29th April, 1910, inclusive :—

No. 6754/8259.—"Sarotti" Chokoladen and Cacao Industrie Aktiengesellschaft. Class 42. (*Gazette* No. 2, of the 13th January, 1910.)

No. 6755/8432.—W. J. Bullock. Class 2. (*Gazette* No. 2, of the 13th January, 1910.)

No. 6756/8444.—"Sarotti" Chokoladen and Cacao Industrie Aktiengesellschaft. Class 42. (*Gazette* No. 2, of the 13th January, 1910.)

No. 6757/8453.—P. H. Vickery. Class 22. (*Gazette* No. 8, of the 27th January, 1910.)

No. 6758/8474.—P. H. Vickery. Class 40. (*Gazette* No. 8, of the 27th January, 1910.)

No. 6759/8483.—P. H. Vickery. Class 22. (*Gazette* No. 8, of the 27th January, 1910.)

No. 6760/8471.—H. E. Partridge and Co., Limited. Class 45. (*Gazette* No. 2, of the 13th January, 1910.)

No. 6761/7900.—T. Deane. Class 50. (*Gazette* No. 75, of the 9th September, 1909.)

No. 6762/7968.—J. Baillie. Class 3. (*Gazette* No. 14, of the 10th February, 1910.)

No. 6763/8489.—Delacour Bros., Limited. Class 50 (4). (*Gazette* No. 14, of the 10th February, 1910.)

No. 6764/8502.—A. van Hoboken and Co. Class 43. (*Gazette* No. 14, of the 10th February, 1910.)

No. 6765/8503.—M. Hilbert. Class 44. (*Gazette* No. 14, of the 10th February, 1910.)

No. 6766/8510.—Eagle Pencil Company. Class 8. (*Gazette* No. 14, of the 10th February, 1910.)

No. 6767/8511.—Eagle Pencil Company. Class 12. (*Gazette* No. 14, of the 10th February, 1910.)

No. 6768/8512.—Eagle Pencil Company. Class 39. (*Gazette* No. 14, of the 10th February, 1910.)

No. 6769/8514.—R. I. Clark and Co., Australasia, Limited. Class 1. (*Gazette* No. 14, of the 10th February, 1910.)

No. 6770/8515.—Roberts (New Zealand) Limited. Class 34. (*Gazette* No. 14, of the 10th February, 1910.)

No. 6771/8517.—Fassett and Johnson. Class 3. (*Gazette* No. 14, of the 10th February, 1910.)

No. 6772/8520.—Marmite Food Extract Company, Limited. Class 42. (*Gazette* No. 14, of the 10th February, 1910.)

No. 6773/8538.—Virol, Limited. Class 3. (*Gazette* No. 14, of the 10th February, 1910.)

No. 6774/8425.—Magnolia Soap Company. Class 47. (*Gazette* No. 106, of the 16th December, 1909.)

No. 6775/8426.—Magnolia Soap Company. Class 48. (*Gazette* No. 106, of the 16th December, 1909.)

Trade Mark Renewal Fees paid.

FEEES paid for the renewal of the undermentioned Trade Marks for fourteen years from the date first mentioned :—

No. 1677/1403.—22nd April, 1910.—J. Newton and Son, Limited, of Wellington, N.Z. 21st April.

No. 1693/1368.—7th May, 1910.—A. van Hoboken and Company, Wijnhaven, Holland. 27th April.

No. 1696/1371.—18th May, 1910. I. S. De Beer, Dunedin, N.Z. 16th April.

Nos. 1706/1380, 1707/1381, and 1708/1382.—3rd June, 1910.—Price's Patent Candle Company, Limited, Battersea, Eng. 27th April.

No. 1724/1378.—22nd June, 1910.—Warrick Bros., London, Eng. 27th April.

No. 1726/1448.—24th June, 1910.—G. H. Mumm and Co., Reims, France. 27th April.

No. 1800/1512.—3rd September, 1910.—K ko Maricopas Company, Limited, London, Eng. 27th April.

Subsequent Proprietors of Trade Marks registered.

[NOTE.—The name of the former proprietor is given in brackets; the date is that of registration.]

NOS. 2563/2031, 2564/2032.—A. J. Worthington and Co., Limited, of Portland Mills, Leek, England, Silk-manufacturers. [A. J. Worthington and Co.] 21st April, 1910.

No. 4628/3629.—Ashton and Parsons, Limited, of La Belle Sauvage, Ludgate Hill, London, England, Manufacturing Chemists. [The Australian Manufacturing and Importing Company.] 21st April, 1910.

Trade Mark removed from the Register.

TRAD E Mark removed from the Register owing to the non-payment of the renewal fee, from the 16th to the 29th April, 1910, inclusive :—

No. 1618/1301.—18th January, 1896.—A. Hatrick, of Wanganui, N.Z. Class 47.

ILLUSTRATIONS OF INVENTIONS.

[These illustrations refer to the complete specifications accepted, and advertised in this *Gazette*.]

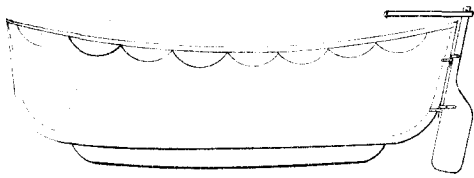


FIG. 1.

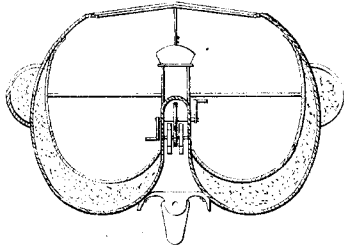
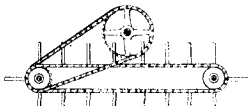


FIG. 2.



Life-boat. Earnshaw. 25690.

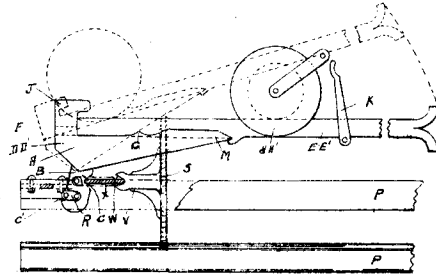


Fig. 1.

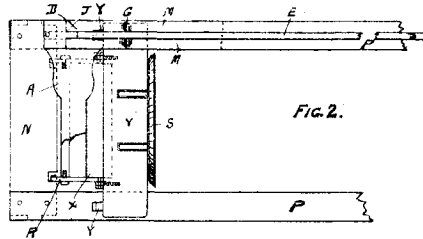
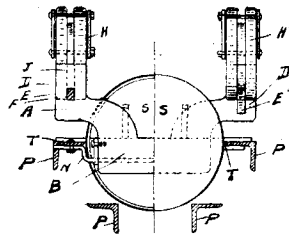
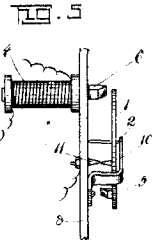
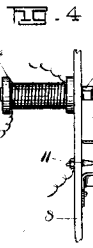
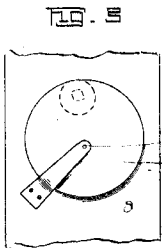


FIG. 2.

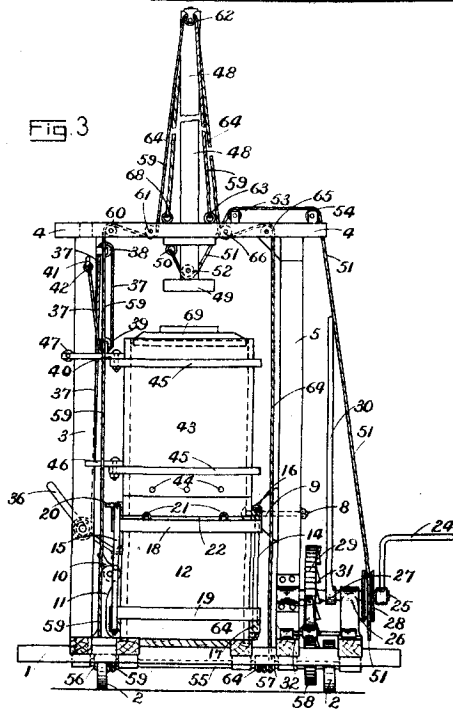


Cheese Pressure Block. Harvey. 25968.

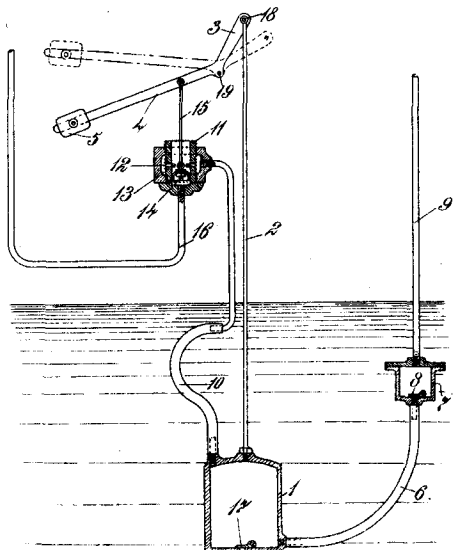


Fire-alarm Annunciator. Moss. 25897.

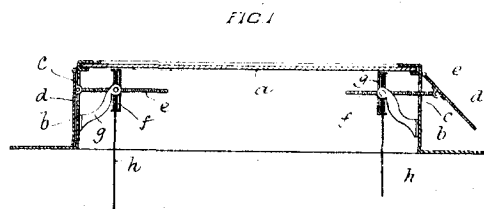
Fig 3



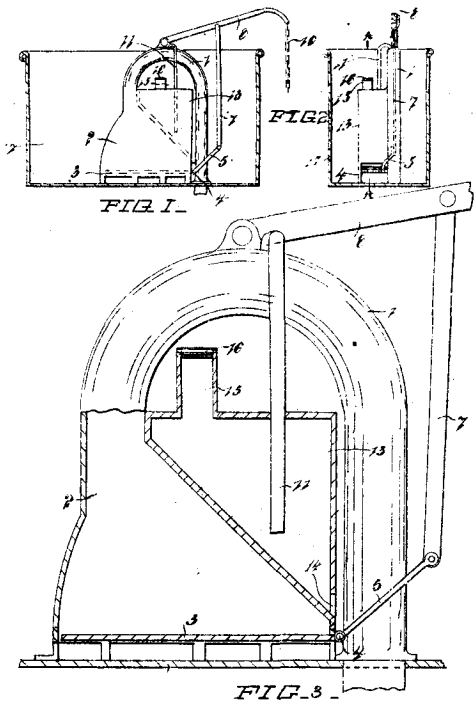
Press, Baling. S. and T. Watkins. 25998.



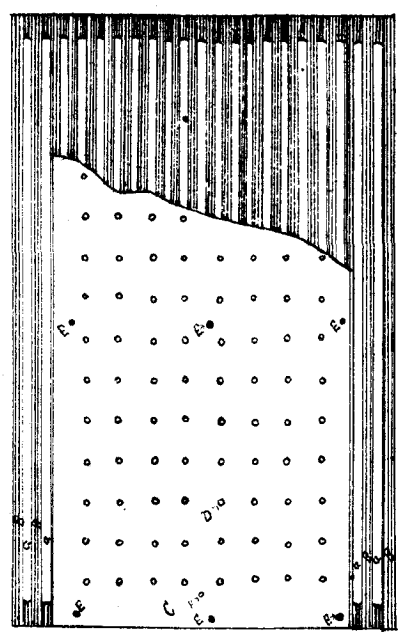
Liquid-raiser. Esping. 26061.



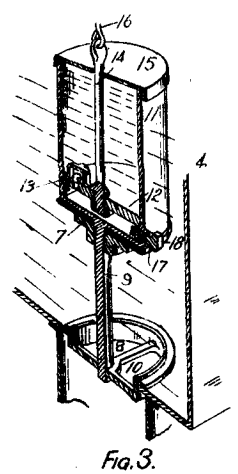
Skylight. Pirie. 27164.



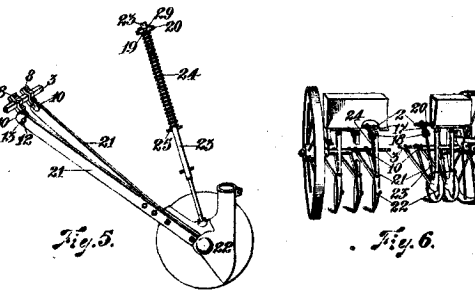
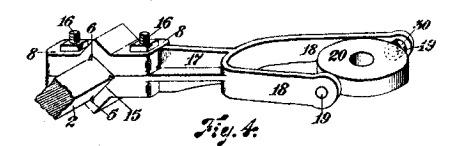
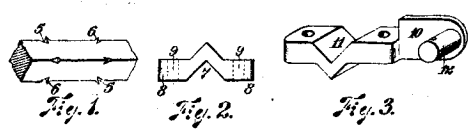
Water-closet Flush. Suckling, Herbert, and Page. 26115.



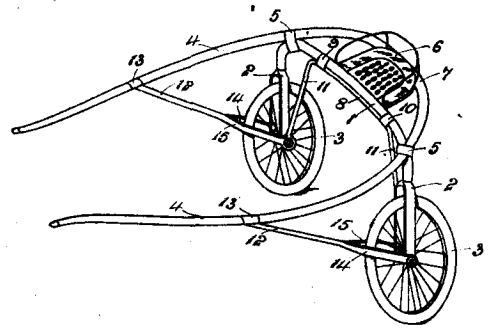
Furnace-grating. Hansen and Dawson. 26063.



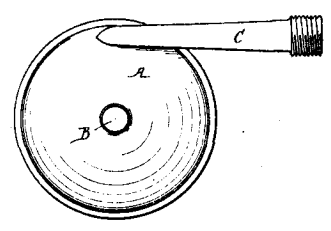
Liquid-outflow Control. Malley and Brennan. 26175.



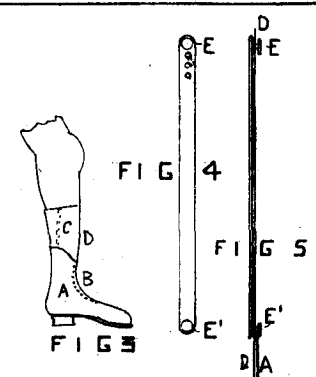
Drill-hoe Support. Thomas. 26132.



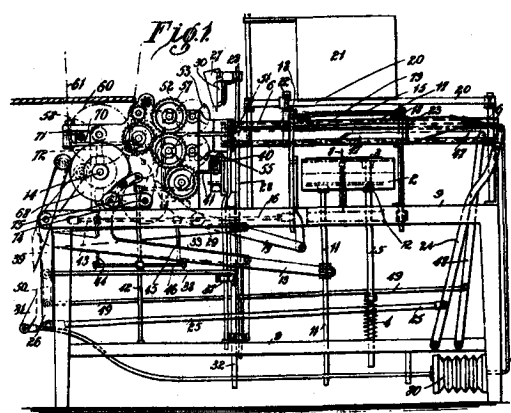
Sulky. Kidd, Ritchie, C. R. and M. Flavell, Bailey. 26989.



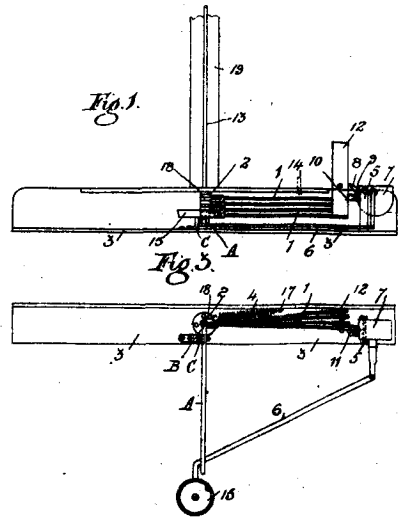
Water-sprayer. Hall and Wheeler. 26209.



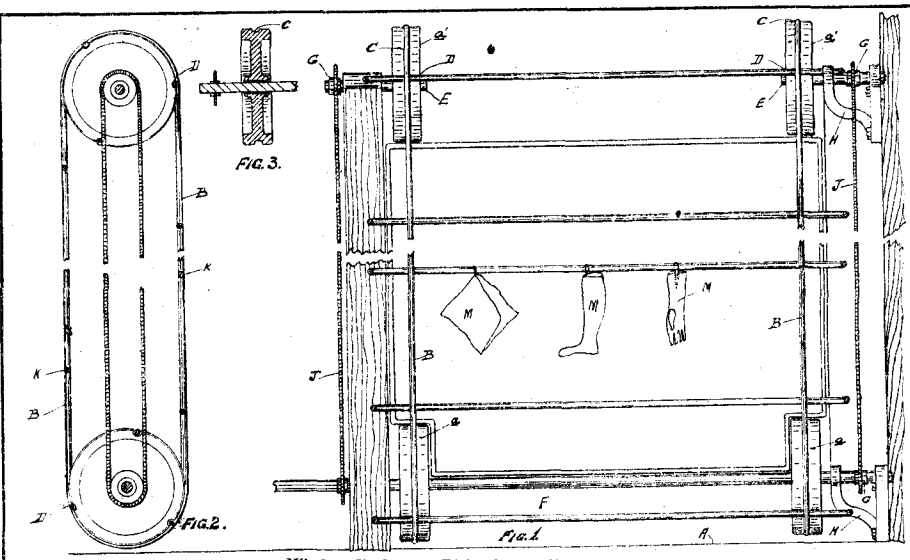
Boots, Gloves, &c., Wrinkling Prevention. Edmond. 26497.



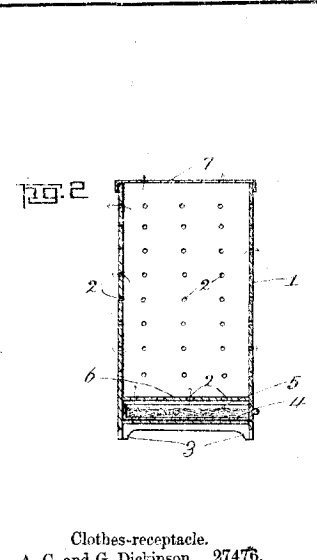
Paper-bag Manufacture. De Jersey. 27241.



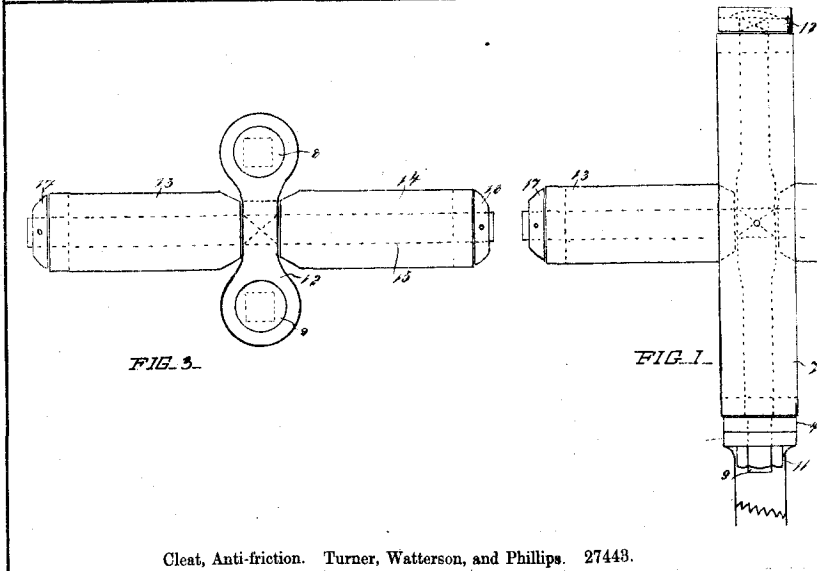
Music-leaf Turner. Hennequin. 27812.



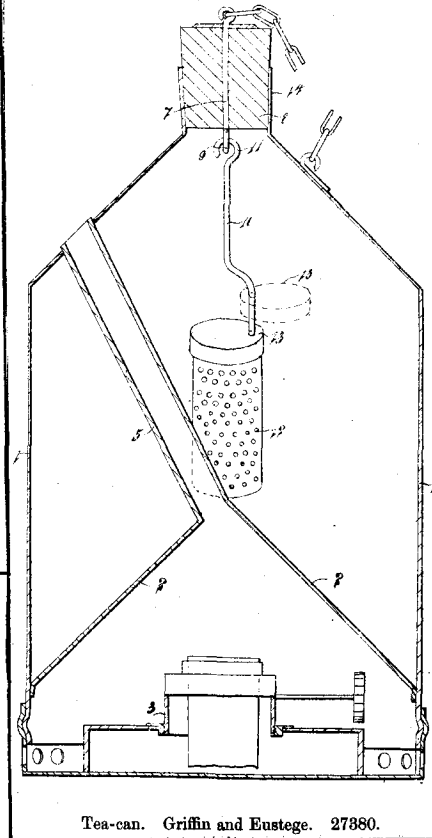
Window-displayer. Richardson. 27466.



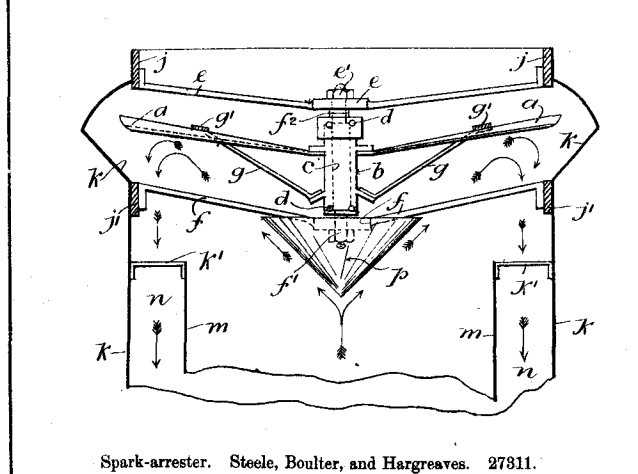
Clothes-receptacle. A. C. and G. Dickinson. 27476.



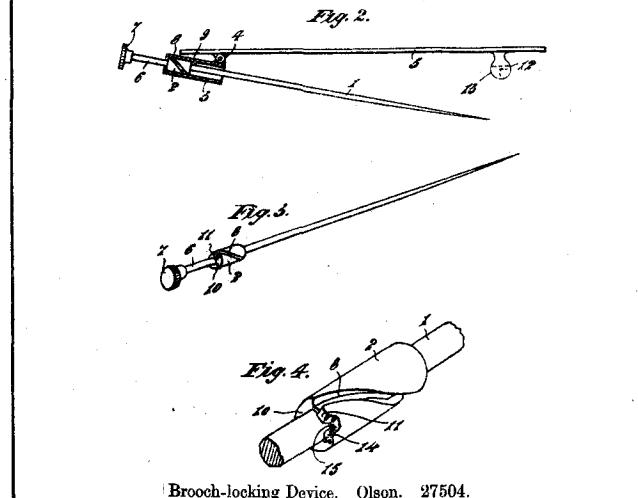
Cleat, Anti-friction. Turner, Watterson, and Phillips. 27448.



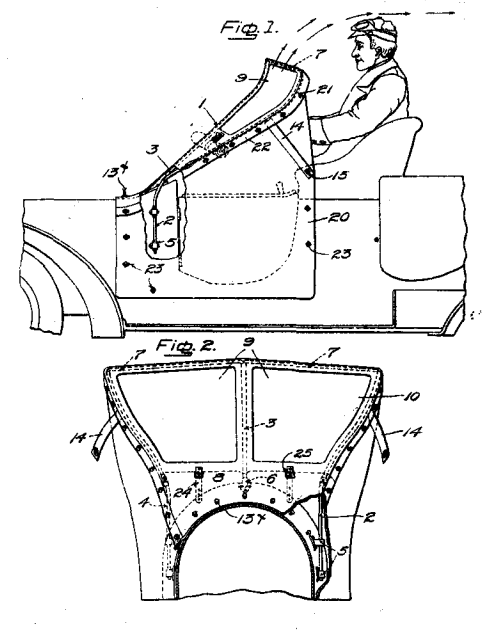
Tea-can. Griffin and Eustege. 27880.



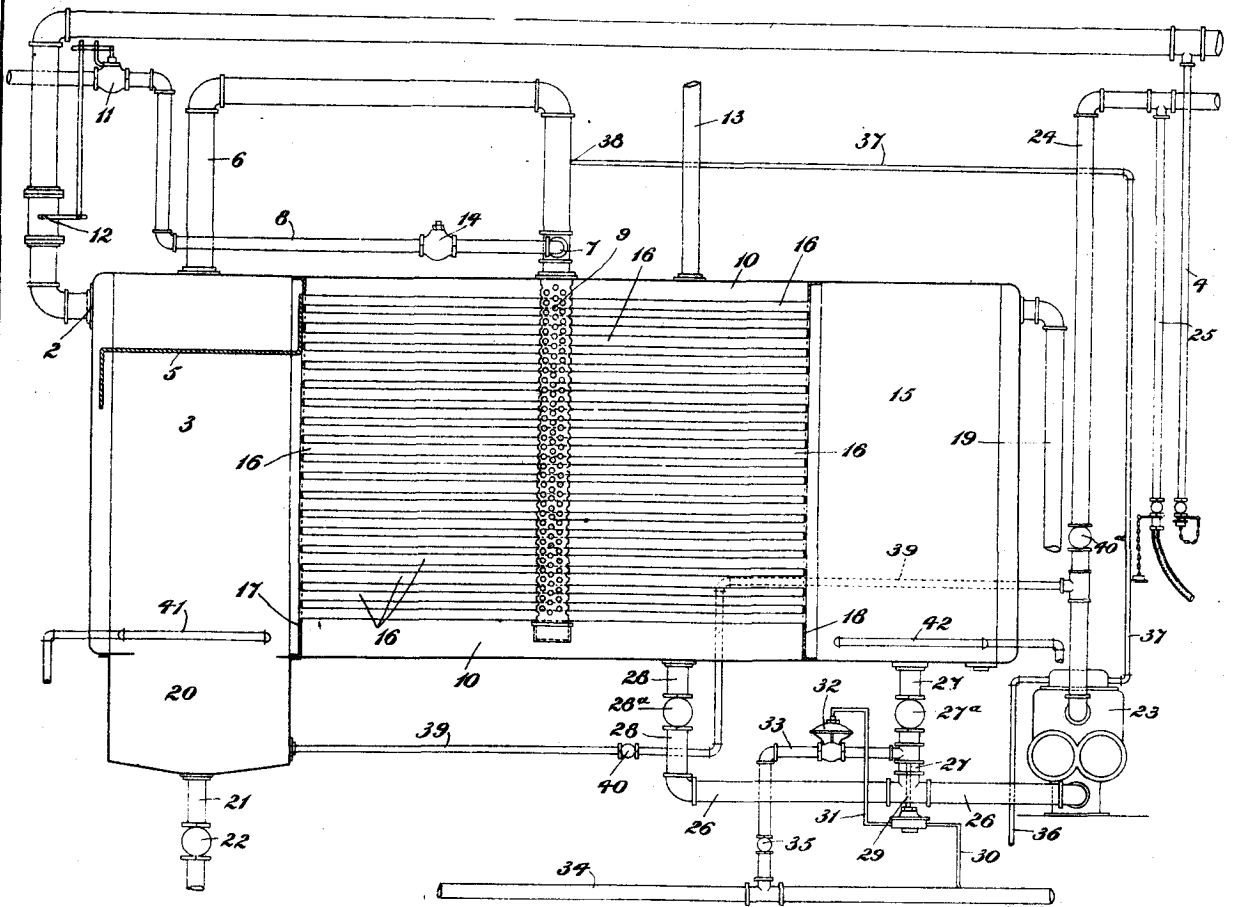
Spark-arrester. Steele, Boulter, and Hargreaves. 27811.



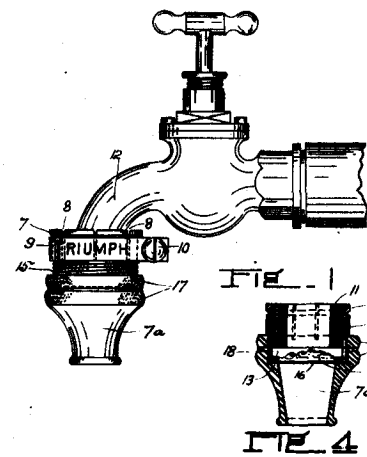
Brooch-locking Device. Olson. 27504.



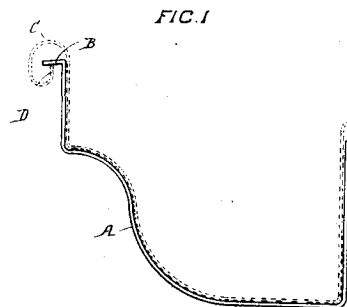
Motor Wind-shield. White. 27521.



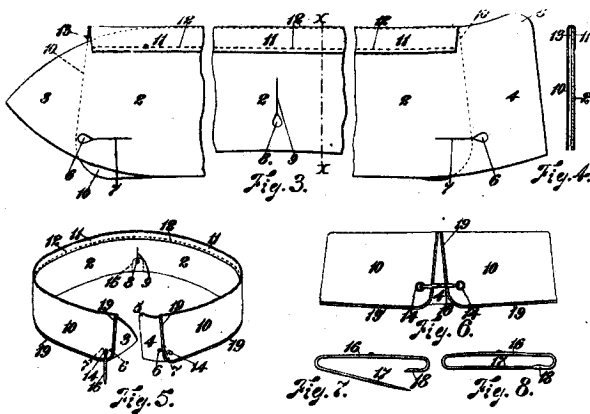
Boiler Washer and Filler. White. 27511.



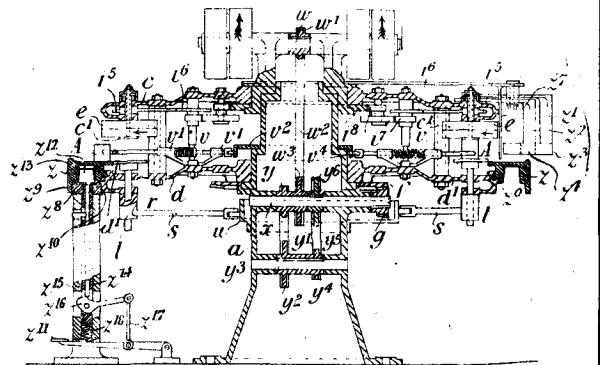
Filter-tap. Price, Considine, and Cederberg. 27091.



Spouting-bracket. Topp. 26758.



Collar. Jensen and Holland. 27490.



Tin-can Manufacture. Waller and Moore. 27540.